

Nyloc Insert Nut

Thread Type: BSW - Coarse

Thread Direction: Right Hand

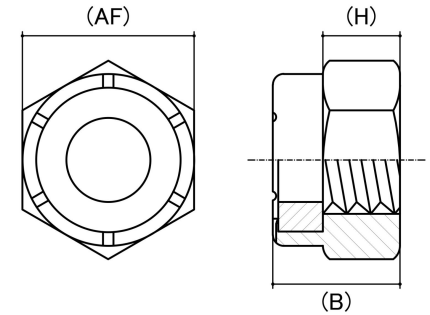
Material: Carbon Steel

Class Grade: Low Tensile Grade 2

Finish: Mechanically Galvanised

Corrosion Protection Level: Excellent

Standard: IFI-100NE



*CAD drawings shown for graphic representation only.**

Size	Thread Pitch (TPI)	Thread Type	Overall Nut Height (B) (mm)		Hex Height (H) (mm)	Across Flats (AF) (mm)		Spanner Size (AF) (inches)	sku (qfind)
			Min	Max	Nom	Min	Max		
1/2"	12	Coarse	14.70	15.45	11.79	18.70	19.05	3/4	41NW12MG

Disclaimer:

Dimensional data and technical information was obtained from publicly available sources and not acquired through standard agencies. It has been completed and compiled for reference purposes only; where discrepancies are found they are subject to change without notice. Bolt & Nut Australia makes no warranties or representations regarding the accuracy and validity of the compiled information and data. Contact the relevant standard authorities for accurate and detailed information.

* CAD drawings may not reflect diameter, thread length or overall length.

© Bolt & Nut Australia Pty Ltd. All rights reserved.

Version: 18 Mar 2024